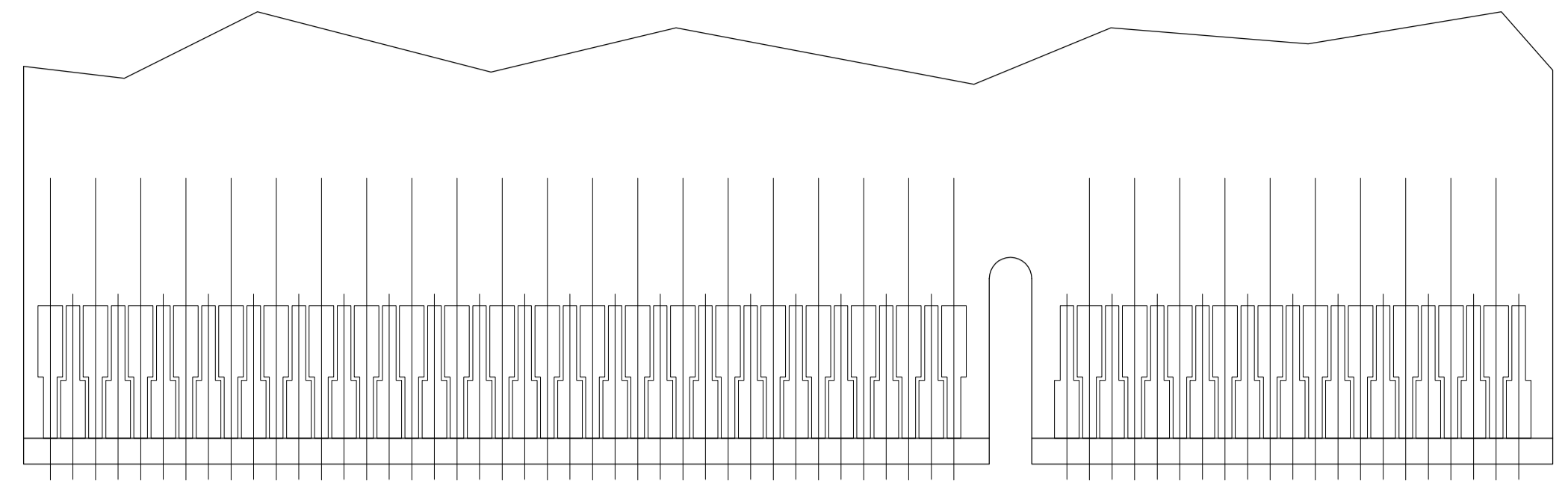


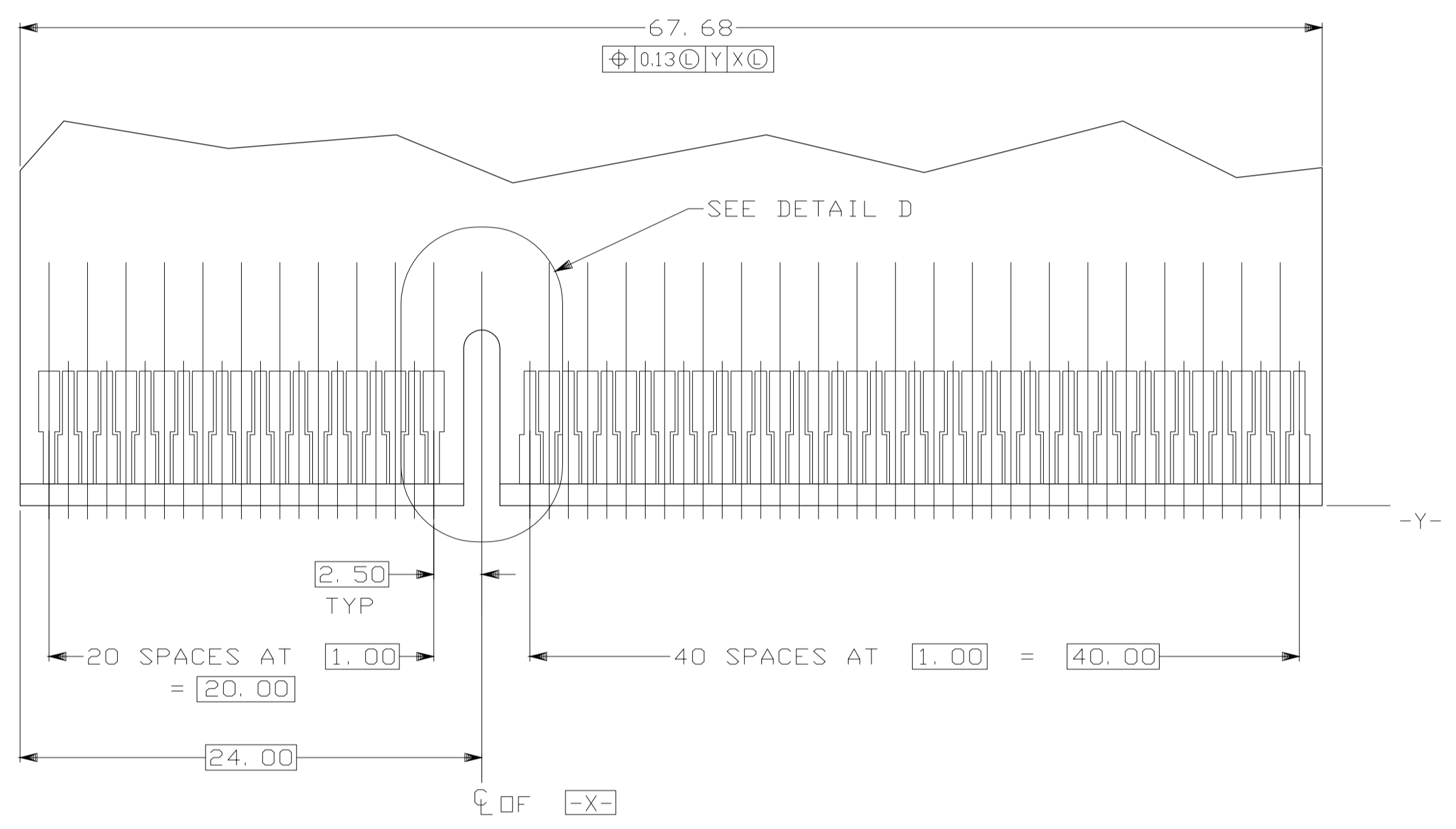
- ① MATERIAL: HOUSING, THERMOPLASTIC, COLOR: BROWN.  
CONTACTS, PHOSPHOR BRONZE.  
HOLD-DOWNS, BRASS.
- ② FINISH: CONTACTS, 1.27 MIN. MICROMETERS NICKEL ALL OVER,  
0.38 MIN. MICROMETERS GOLD OVER NICKEL IN CONTACT AREA,  
2.54 MIN MICROMETERS TIN OVER NICKEL ON SOLDER TAILS.
- ③ FINISH: CONTACTS, 1.27 MIN. MICROMETERS NICKEL ALL OVER,  
0.0254-0.0762 MICROMETERS GOLD OVER NICKEL IN CONTACT AREA.  
2.54 MIN. MICROMETERS TIN OVER NICKEL ON SOLDER TAILS.
- ④ FINISH: CONTACTS, 1.27 MIN. MICROMETERS NICKEL ALL OVER,  
0.38 MIN. MICROMETERS GOLD OVER NICKEL IN CONTACT AREA,  
0.05-0.15 MICROMETERS GOLD OVER NICKEL ON CONTACT SOLDER TAILS.

VERGIN MATERIAL FOR HOUSING	②	2.54	5145263-8
	④	2.54	5145263-7
	③	3.18	5145263-6
	②	2.54	5145263-5
	②	3.18	5145263-3
	②	2.54	5145263-2
	②	2.16	5145263-1
PLATING	W		PART NO

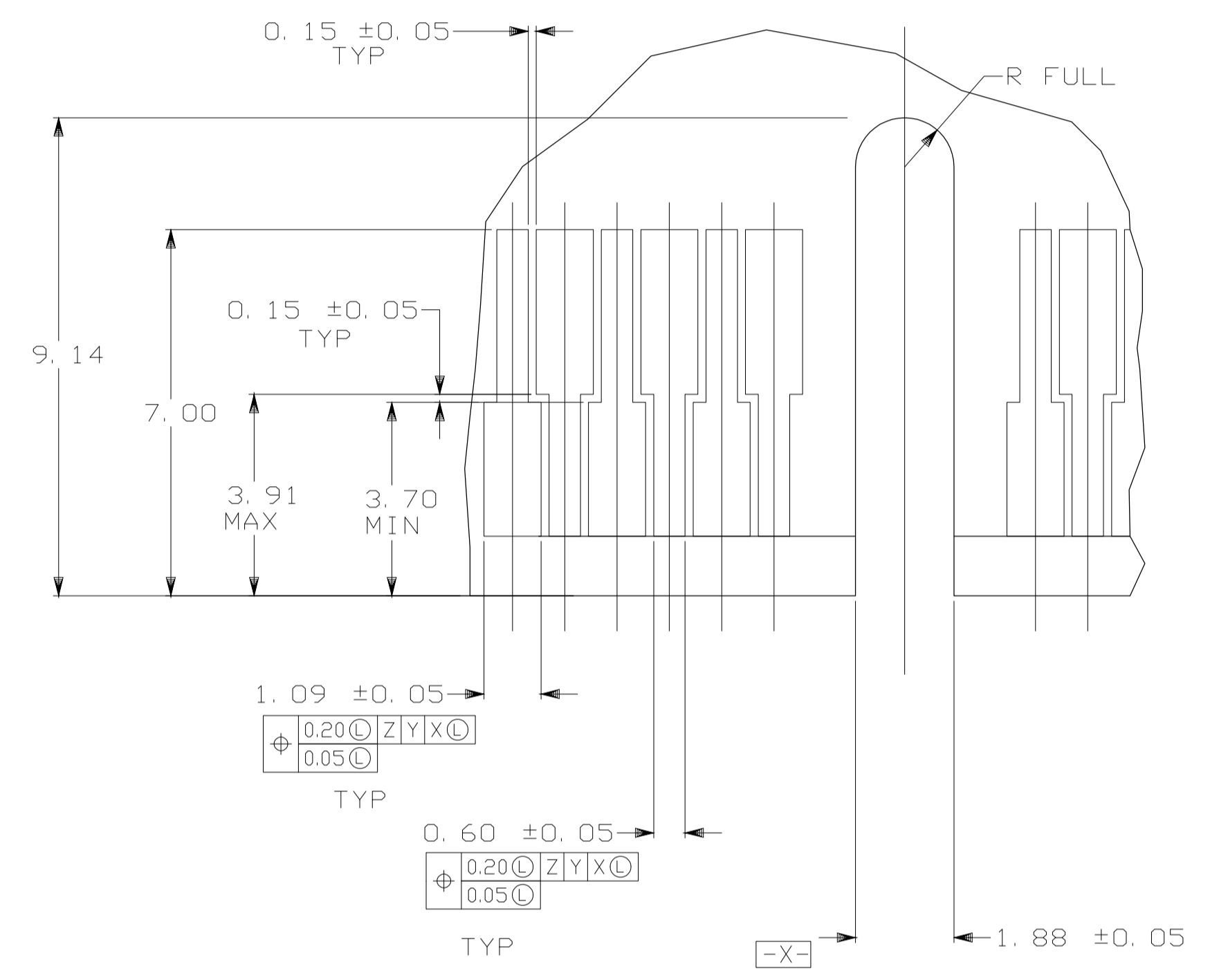
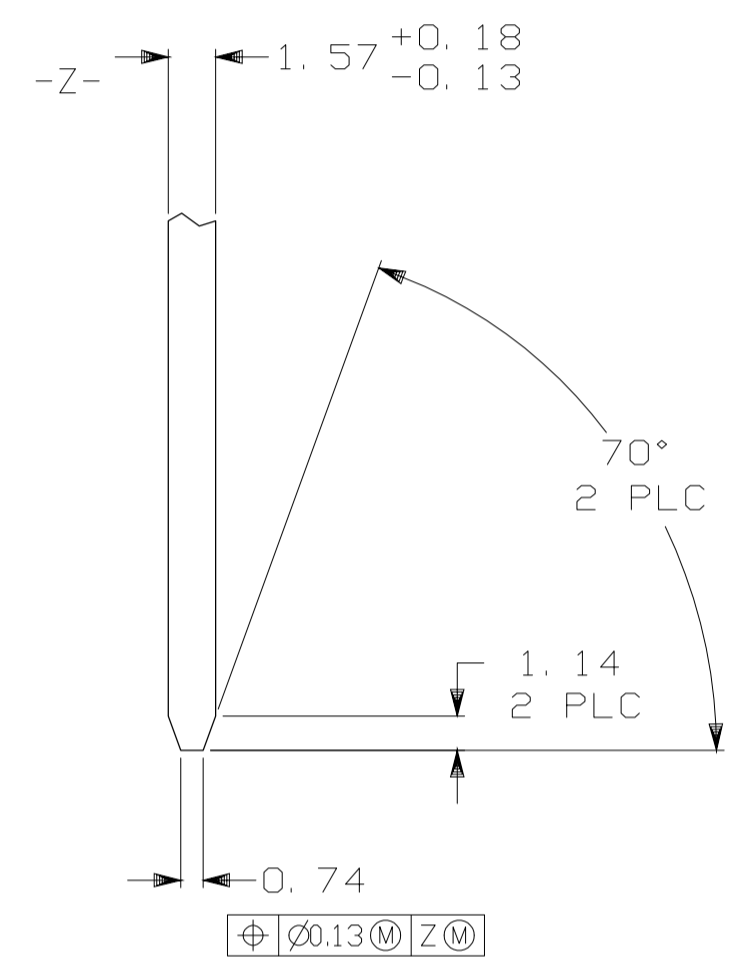
THIS DRAWING IS A CONTROLLED DOCUMENT.		DMN: GAVIN ZHANG 23NOV04	Tyco Electronics Corporation Shanghai, P.R.China, 200233
		CHK: STEVEN YAO 23NOV04	
DIMENSIONS: mm	TOLERANCES UNLESS OTHERWISE SPECIFIED:	APVD: ENOMOTO 23NOV04	NAME: ASSEMBLY, 124 POSITION 1mm, CARD EDGE CONNECTOR
	0 PLC ± -	PRODUCT SPEC	
	1 PLC ± -	APPLICATION SPEC	
	2 PLC ± 0.13	SIZE: A1	CAGE CODE: 00779
	3 PLC ± -	DRAWING NO: 5145263	RESTRICTED TO: -
	4 PLC ± -	WEIGHT: -	CUSTOMER DRAWING
MATERIAL: ①	FINISH: ②/③	SCALE: 4:1	SHEET 1 OF 2
		REV: A1	



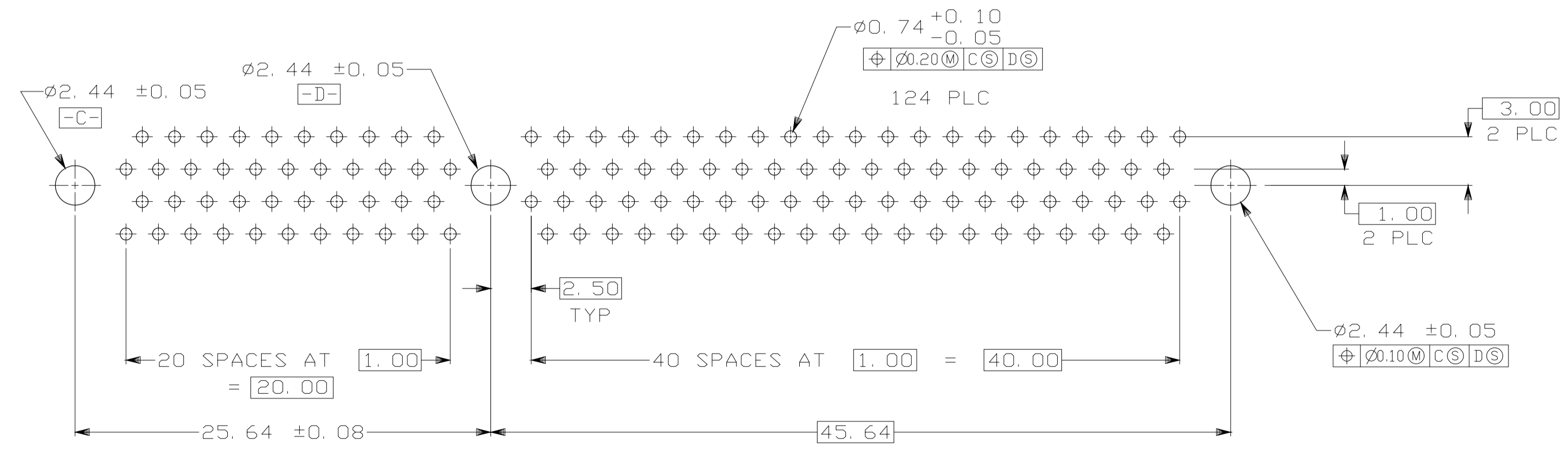
RECOMMENDED CONNECTOR MATING PAD PATTERN  
 (SECONDARY SIDE SHOWN)



RECOMMENDED CONNECTOR MATING PAD PATTERN  
 (PRIMARY SIDE SHOWN)



DETAIL D  
 SCALE 10:1



RECOMMENDED CONNECTOR MOUNTING HOLE PATTERN  
 (CONNECTOR SIDE SHOWN)

THIS DRAWING IS A CONTROLLED DOCUMENT.		DN: GAVIN ZHANG 23NOV04	Tyco Electronics Tyco Electronics Corporation Shanghai, P.R.China, 200233
		CHK: STEVEN YAO 23NOV04	
DIMENSIONS: mm		APVD: J. ENOMOTO 23NOV04	NAME: ASSEMBLY, 124 POSITION 1mm, CARD EDGE CONNECTOR
TOLERANCES UNLESS OTHERWISE SPECIFIED:		PRODUCT SPEC: -	APPLICATION SPEC: -
0 PLC ± -		SIZE: A1	CAGE CODE: 5145263
1 PLC ± -		WEIGHT: -	RESTRICTED TO: -
2 PLC ± 0.13		CUSTOMER DRAWING	
3 PLC ± -		SCALE: 4:1	
4 PLC ± -		SHEET 2 OF 2	
ANGLES ± °		REV: A1	